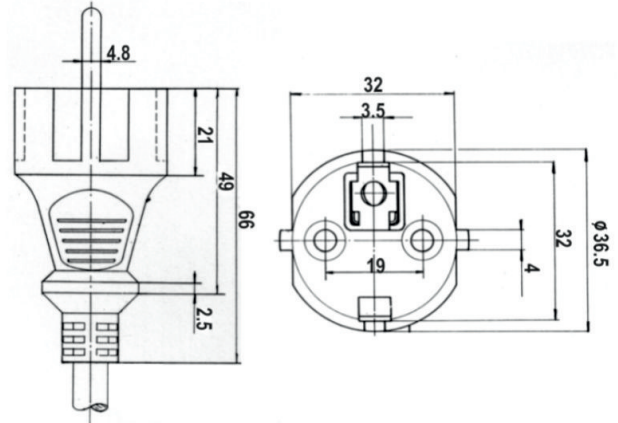





2000 SC



UNE 20.315 / CEI 884
Clavija bipolar con doble sistema de contacto de tierra 16 A. 250 V. Diámetro borna 4.8mm

TABLA DE HOMOLOGACIONES

			
H03VV-F 3G0.75	X	X	X
H05VV-F 3G0.75	X	X	X
H05VV-F 3G1	X	X	X
H05VV-F 3G1.5	X	X	X
H03RT-H 3G0.75	X	X	X
H03RT-H 3G1	X	X	X
H05RR-F 3G0.75	X	X	X
H05RR-F 3G1	X	X	X
H05RN-F 3G0.75	X	X	X
H05RN-F 3G1	X	X	X
H07RN-F 3G1	X	X	X
H03RT-H 3G1.5	X	X	X
H05BB-F 3G0.75	X	X	X
H05BB-F 3G1	X	X	X
H05BB-F 3G1.5	X	X	X
H05RR-F 3G1.5		X	X

[X] Certificado

[-] En proceso de certificación