
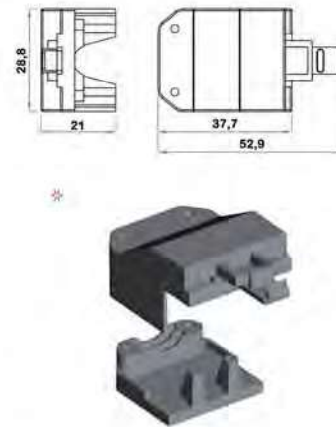
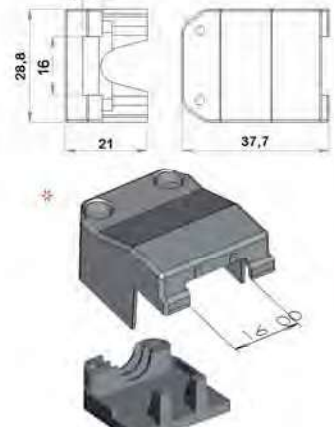

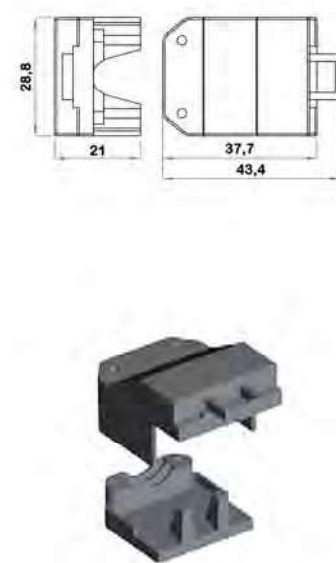
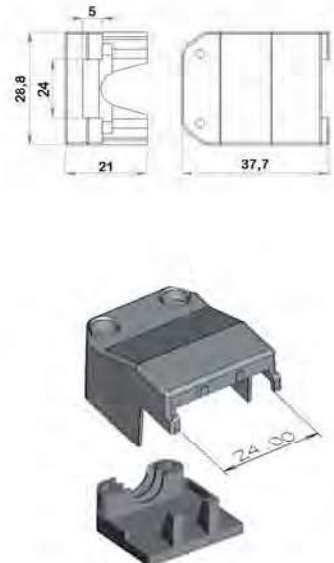


<b>3 POLES CONNECTOR</b> with strain relief for cross sections 1,5 - 2,5 mm <sup>2</sup> * Covers, base and screws are not assembled see indication for assembled article on page 1. ■	<b>3 POLES COVER WITH LOCKING DEVICE, BASE AND SCREWS</b> * ■ service see on page 1	<b>3 POLES COVER WITH FRONT HOLE, (16 or 24 mm)</b> for locking device use EPH01 on page 11 ■ service see on page 1	* available strain relief: Ø 7 - 8,3 mm = <b>S</b> Ø 9,5 10,5mm = <b>M</b> removable strain relief reducer on request for any smaller, single or flat cable; for reducer S or M version suffix the code with Z EXAMPLE: SZ and MZ
---	--	---	---

Order code	Descr.	Order code	Descr.	Order code	Descr.
					
1	EP1100 * EP3M+EP3G *	EP0120 *	EP3G *	EP0129 *	EP3C *
2	EP1101 * EP3MW+EP3GW *	EP0121 *	EP3GW *	EP0130 *	EP3CW *
3	EP1103 * EP3MV+EP3G *				
4	EP1134 * EP3MTS+EP3G *				
5					
6	EP1133 * EP3MTD+EP3G *				
7	EP1102 * EP3MB+EP3G *				
8	Transparent plastic →	EP0122 *	EP3GT *		

Order code	Descr.	Order code	Descr.	Order code	Descr.	Order code	Descr.
							
1	EP1110 * EP3F+EP3g *	EP0123 *	EP3g *	EP0131 *	EP3CB *		
2	EP1111 * EP3FW+EP3gW *	EP0124 *	EP3gW *	EP0132 *	EP3CBW *		
3	EP1113 * EP3FV+EP3g *						
4	EP1144 * EP3FVS+EP3g *						
5							
6	EP1143 * EP3FTD+EP3g *						
7	EP1112 * EP3FB+EP3g *						
8	Transparent plastic →	EP0125 *	EP3gT *				